



DFESSER-LIGHT

Enhance the exclusive shopping experience

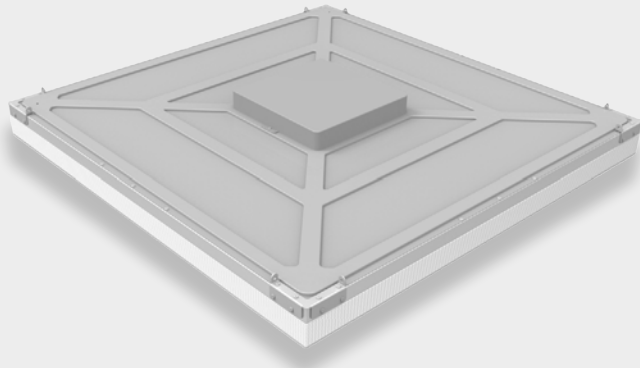


**Creating
ambiances**

**Inspiring
customers**

Flattering customers

Changing rooms should have an inviting atmosphere that makes customers feel comfortable and completely at ease. The high quality light will flatter your customers and the clothes they are trying on, so they're both seen in the best possible light.



Creating the perfect ambient

60% of the buying decisions are made inside the fitting room. Providing a flattering light will make your customers look and feel good and create a positive experience that will influence their buying behaviour.

At a touch of a button

The right colour temperature will show the product off to its best. This unique lighting solution for fashion fitting rooms lets shoppers see how their outfits look under different lighting conditions.



From a simple touch-screen panel, consumers can switch the diffuse lighting between pre-defined settings such as 'restaurant', 'office' and 'winter day' (different tones and brightness of light), and have a realistic impression of how the outfit will look on that scenario.

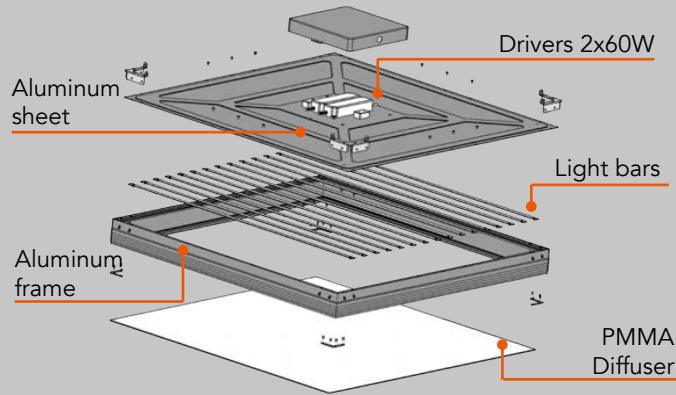
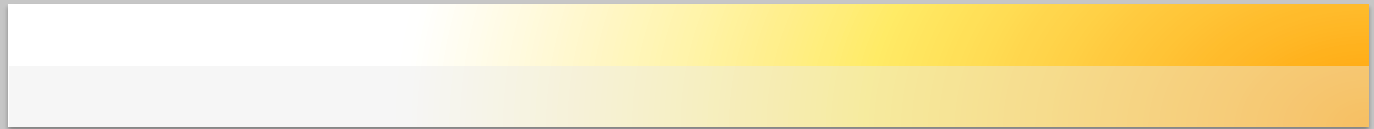
Evening wear demands an intimate feel, day wear a brighter, natural ambience. Customers will appreciate the attention to detail and if they like what they see, it is more likely to get the sale.

Sunny winter day · 100% intensity
Cloudy winter day · 50% intensity

Sunny summer day · 100% intensity
Cloudy summer day · 50% intensity

Office · 100% intensity
Restaurant · 30% intensity

Home · 100% intensity
Cocktail Bar · 30% intensity





DRESSER-LIGHT

C/ Puerto de Somosierra, 19
Nave 13. 28935 Móstoles
(Madrid) Spain

Phone: +34.91.636.61.49
Fax: +34.91.636.61.50
www.silversunlighting.com